

# "V"OL"V"OPER:NT.A.

Volvo Penta of the Americas  
1300 Volvo Penta Drive  
Chesapeake, Virginia 23320-9810

## Parts Bulletin

Group	Number	Version
<b>P-21-0</b>	<b>9</b>	<b>01</b>

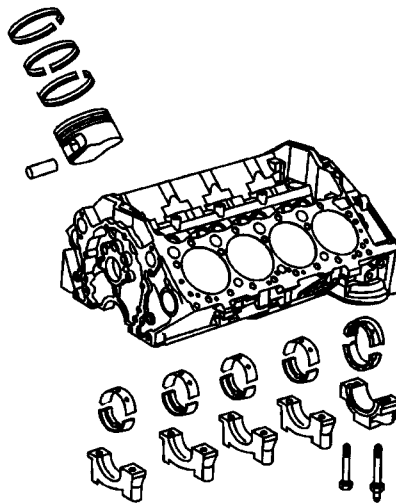
### Longblock guidelines, 5.0L V8

Models: 501B/A, 500B/A, AQ231B/A, BB231A, AQ225F/E, AQ2II

Distribution: Parts Date: 12-2004 Binder: Parts Replaces: VPA91-903, VPS42-29

**Note!** Please read and understand Parts Bulletin P-21-0-1 before ordering any parts or long blocks. Bulletin P-21-0-1 contains important information that applies to all gas engine longblock service.

Long- or short-block assemblies are no longer available for service of these earlier red engines. The only service option for these engines is a fitted block, part number 3850050.



23624

The fitted block includes the block, pistons, piston pins, piston rings, and crankshaft bearings (standard size). The remainder of the components to assemble the block must be reused from the original engine or purchased new.